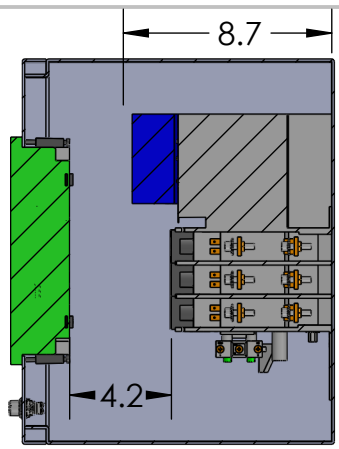
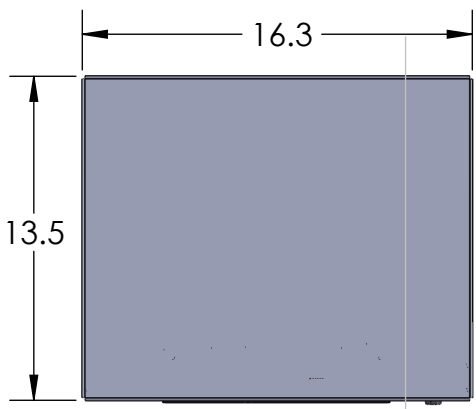


2

1

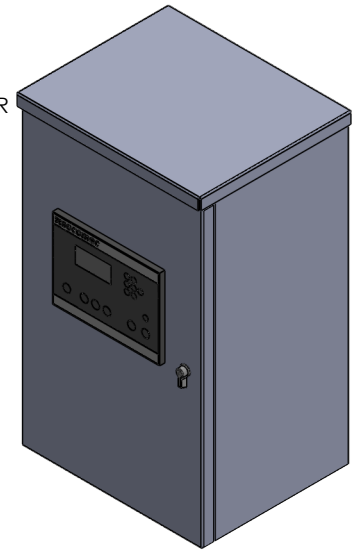
B

B



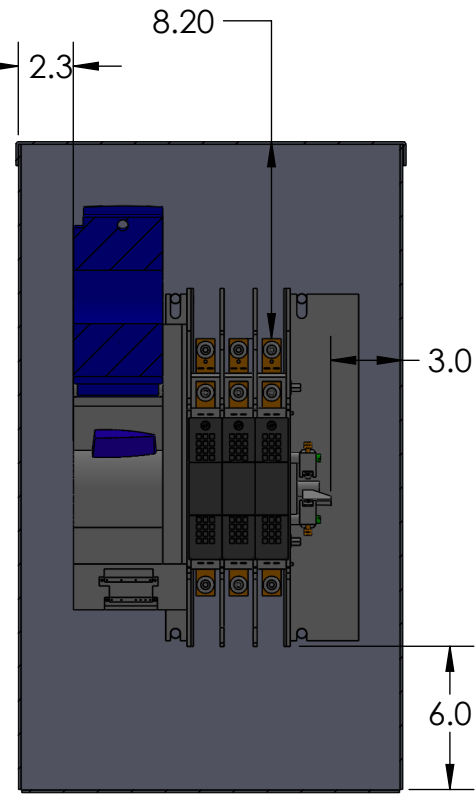
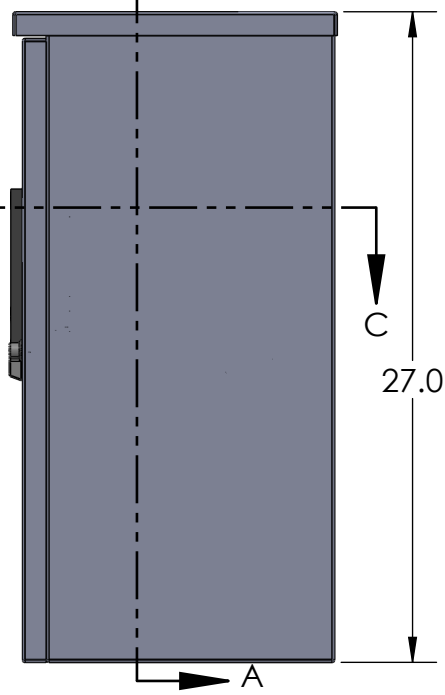
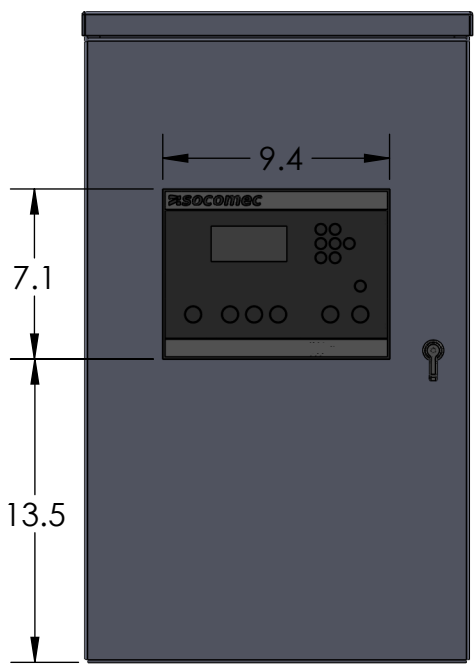
NOTES:

- 1) N3R SHED ROOF CONSTRUCTION 14GA GALV STEEL
- 2) POWDER COATED ANSI 61 WRINKLE GRAY
- 3) KEYLESS SECURITY LATCH
- 4) PORTED FRONT HINGE COVER DOOR FOR CONTROLLER
- 5) EMBOSSED REAR MOUNTING HOLES



A

A



E167302



CABINETS AND CUT OUT BOXES
 LOT NO. XXXXXX

NAV-TECH INC.
 HAUPPAUGE, NEW YORK

NAME	DATE
J. PINCUS	12/5/2024
DRAWN BY	
REVIEWED BY	



MAT'L:	CODE GAUGE GALV STEEL
FINISH:	GRAY POWDER COAT ANSI 61
WEIGHT:	

DRAWING TITLE
SECTION A-A
200A ODHCBX

PART #:
ODHCBX211612-ATS

DESCRIPTION:
200A OUTDOOR SOCOMEC
ATS HINGE COVER CABINET
SHOWN WITH 200A 3P ATS

PROPRIETARY AND CONFIDENTIAL
 THE INFORMATION CONTAINED IN THIS DRAWING IS THE SOLE PROPERTY OF NAV-TECH INC. ANY REPRODUCTION IN PART OR AS A WHOLE WITHOUT THE WRITTEN PERMISSION OF NAV-TECH INC. IS PROHIBITED.

155 MARCUS BLVD
 HAUPPAUGE, NEW YORK 11788
 PH: (718) 257-2111 FAX: (718) 257-2626

ALL DIMENSIONS ARE NOMINAL UNLESS EXPLICITLY STATED OTHERWISE

DO NOT SCALE DRAWING

SCALE:	1:8	SIZE	A	SHEET	1 OF 1	REV.	1
--------	-----	------	---	-------	--------	------	---

2

1